

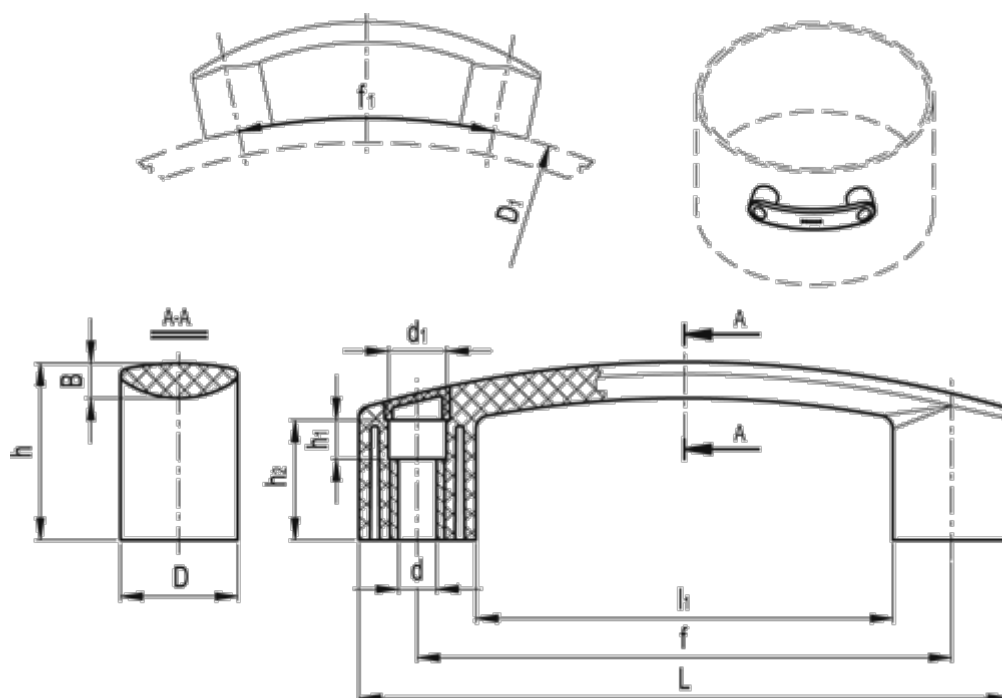
Data Sheet



Article number: 23042602616

Description: E+G Flexible bridge handle
EBP.140-8-FLX-C6 Red

Measures



B = 8.5	L = 144
d = 8.5	l1 = 92
D = 26	Weight (g) = 56
d1 = 13.5	
f = 117	
h = 39	
h1 = 8.5	
h2 = 26.5	